

UNPACKING

IMPORTANT

Prior to starting this procedure, ensure that the shipping carton does not show any evidence of damage due to dropping or mishandling. This may indicate that the dispenser was damaged during transit and/or delivery. If any damage is visible on the shipping carton, indicate this on the shipping receipt.

You can now proceed in the unpacking process by first carefully cutting the plastic strapping which secures the carton top and bottom. After cutting these straps, lift the carton top straight up and off of the dispenser.

After lifting the box off the machine, carefully remove the styrofoam from the sides of the machine. Next remove the four plastic legs, technical and instruction manual, and any other items found in the mix tanks.

MACHINE POSITIONING

Prior to choosing a location please keep in mind that your dispenser should be readily accessible for periodic maintenance and have adequate space for necessary air flow. After selecting a location, you are now ready to place your dispenser.

Place the machine at the desired location. Make sure that there is enough space for ventilation on both sides (about 8" on each side for 2 and 3 bowl units). Carefully lay the machine on its back and screw the legs to the bottom. Gently tip machine onto its feet.

To ensure the highest quality in the shipping of your unit, we have left the plastic on both the unit and the drip trays for protection against scratching in transit. **Please remove before operating your machine.**

Install the drip pans and cover grates onto the front of the unit.

IMPORTANT

Before connecting power to the machine, check the label on the back of the machine to verify the voltage and amperage draw of the unit and then do the same for the electrical outlet. Carefully inspect the power supply cord on your dispenser for any possible damage which may have occurred during transportation. If **ANY** damage is visible, **DO NOT** plug the machine into the power supply, contact your authorized service agent to replace the power cord.

FAMILIARIZING YOURSELF WITH THE CONTROLS

On the right side of the machine are the following switches and controls. (Figure 1)

Main Power ⚡

“0” Position: Off position. Power is turned off to all functions.

“1” Position: On position. Machine has power.

Display light 💡

“0” Position: Lights are off.

“1” Position: Lights are on. Display lights have power

Agitator Switch ↻

“0” Position: Agitator is off.

“1” Position: Agitator is on.

Cooler Switch ❄️ / 🍷

“0” Position: Off position.

“I” Position: Cool drink mode. 🍷

“II” Position: Frozen mode. ❄️

Compressor green light 🟢

If the compressor green light is on, the compressor should be working

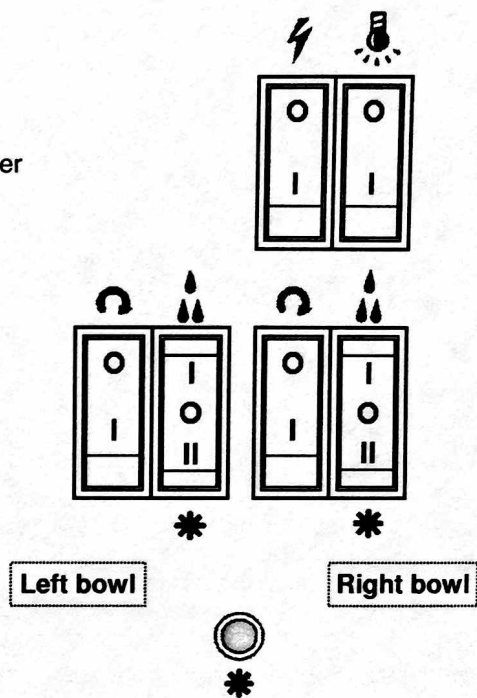


Figure 1

Automatic defrost / standby timer . (Figure 2)

This timer will automatically switch your dispenser from the frozen drink to the chilled drink mode. This timer can be programmed to switch the machine at any time of the day or night. The standard settings are:

Switch to chilled from frozen – 11:00 PM

Switch to frozen from chilled – 9:00 AM

For all seven days of the week.

Find detailed programming instructions on page 13.

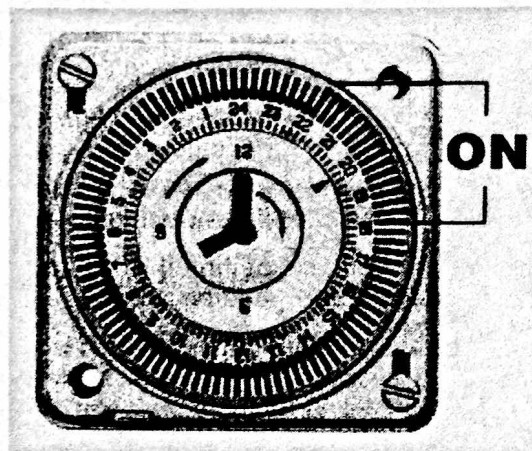


Figure 2

HOW TO OPERATE (cont'd)

4. To operate, press main power switch and agitator switch to **ON** position (Figure 12). **NOTE: The agitator switch must be to ON position before setting to liquid or slush mode.**

4.1 For slush, press the cooler switch to bottom position (II / *).

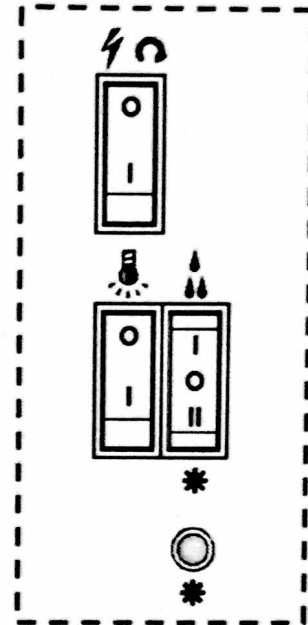
4.2 For liquid, press the cooler switch to up position (I / ⬆). If the machine is being used as a liquid cooler, it is provided with an inside thermostat for controlling the liquid temperature.

Note that your machine is equipped with a time delay relay that provides for a four minute delay from the time of the initial start. This is to prevent the compressor from short cycling. Once the compressor is ON, the green light will be on.

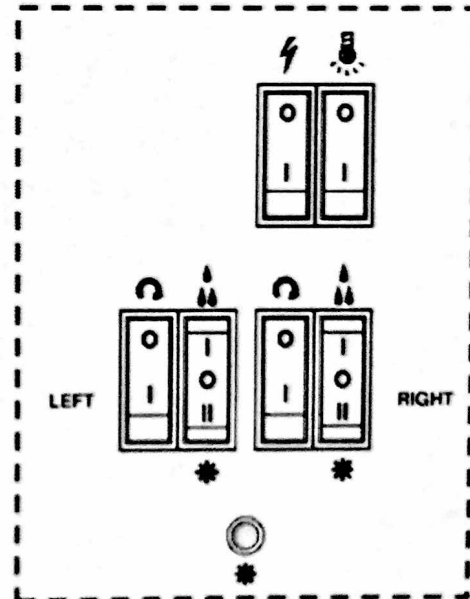
Note: The cooler switch is a three position switch and in order to have the compressor off, all the cooler switches need to be in the middle position.

5. To illuminate the mix tank cover display on top of the unit and the product in the bowl press the display light switch to down position (I / ⬇).

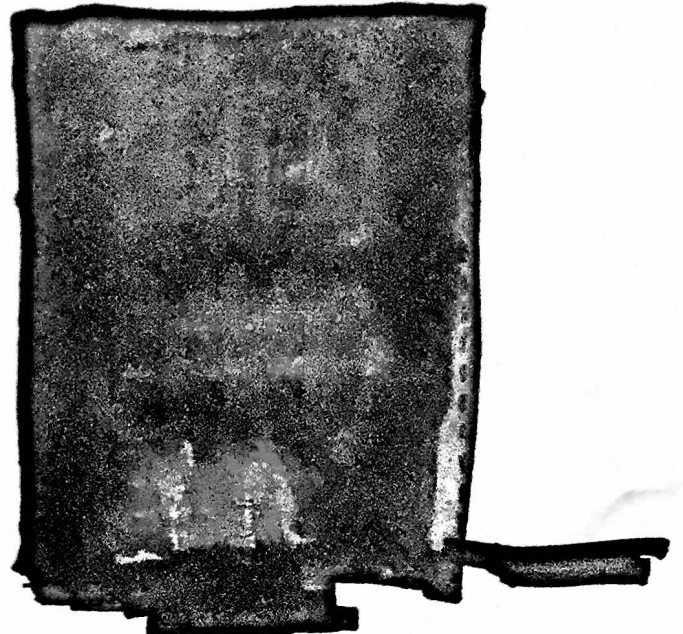
CAUTION: IF THE MACHINE IS STOPPED AT NIGHT WITH ICE IN THE TANK, REMOVE ALL ICE SLABS BEFORE STARTING.



1 bowl



2 bowls



To adjust the density/consistency of the slush there is an adjustment knob (**Figure 13, #2**) at the rear, right corner of the dispenser (**#1**).

Turn the knob right (clockwise) or left (counter clockwise) (**arrow C and B**) The consistency indicator (**#4**) will go up or down (**arrow D and E**)

To firm up the product, turn the set knob counter clockwise, which will move the indicator down to a higher number position

To soften / warm up the product, turn the set knob clockwise, which will move the indicator up to a lower number position

NOTE: when using a new product, or on initial start up, it is recommended that you set the consistency indicator to the lowest/warmest setting and increase as desired. Please note that the machines are pre-set at the factory at a medium setting (number 2.5)

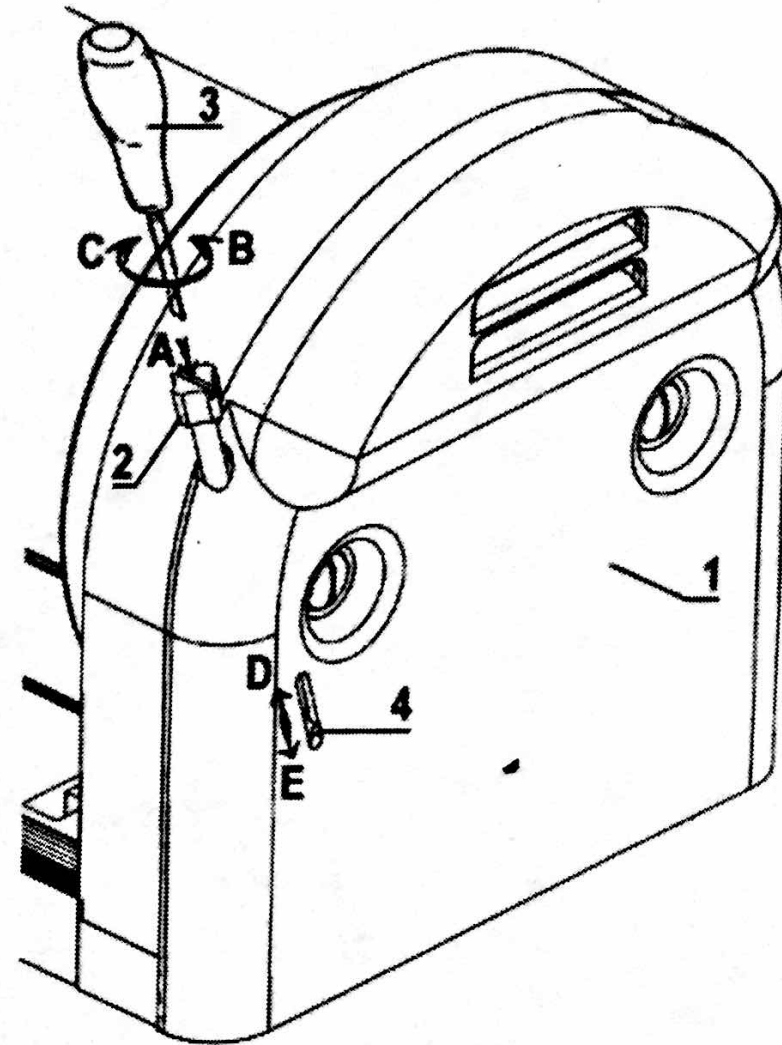


Figure 13